

## KLICK HORIZON Projector

KLICK Adjustable Framing Projector Spotlight, High Output Track Lighting



Job Information	
Project Name	
Type	
Location	
Quantity	
Date	

### Description

The KLICK Adjustable HORIZON with Framing Projector is designed for applications that require precise illumination. By enhancing your control with the Framing Projector, it allows you to shape and define the beam with sharp, clean edges, making it an ideal solution for highlighting artwork, architectural details, retail displays or feature walls.

### Features

#### Body

Constructed from aluminum, this LED track fixture features an aesthetically pleasing smooth cylindrical shape.

#### Dimming

The track fixture is dimmable when used with compatible dimmable driver (Consult factory for compatible drivers and dimmers).

#### Adjustability

Adjustable up to 135° tilt and 355° rotation to allow for spotlight into multiple directions.

#### LED Characteristics

Efficient LED chip maintains uniform intensity with a typical luminous flux up to 1500 lumens, with a typical CRI of 90. Available in 2700 K, 3000 K, 3500 K and 4000 K correlated color temperature.

#### Mounting

This LED fixture is designed to be simple and convenient, with secure-click locking technology; providing significant savings on installation and maintenance. Multiple mounting options for various applications: track, track pendant.

#### Compatibility

Compatible with KLICK track series.

#### Field-Replaceable TIR Lens

Precision-engineered Total Internal Reflection (TIR) lens designed for optimal beam control and uniform light distribution. Easily interchangeable in the field, allowing quick adjustments to beam angles without replacing the entire fixture. Ideal for adapting track lighting layouts to evolving retail, hospitality, and architectural applications while maintaining high optical efficiency and minimal glare.

#### Framing Projector Adapter (GOBO Compatible)

Field-installable framing projector adapter designed to provide precise beam shaping and pattern projection for enhanced lighting control. Features adjustable shutters for clean, sharp beam cuts and is compatible with custom-made GOBO lenses for projecting logos, graphics, or architectural details. Ideal for retail, hospitality, gallery, and architectural applications requiring flexibility, visual impact, and refined light control.

#### Horizon Track Fixture

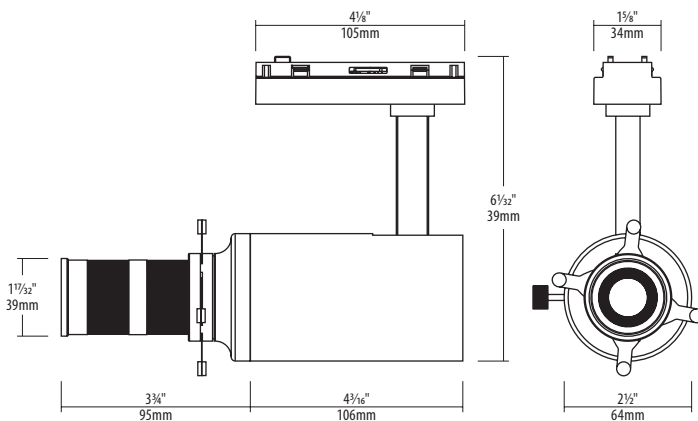
Architectural-grade LED track fixture delivering exceptional white light quality and visual consistency. Engineered for superior color performance with 90 CRI and P2/V-/F3 TM-30 maximizing color preference and fidelity for vibrant illumination. Features field-changeable optics, including precision TIR lenses and framing projector/GOBO-compatible accessories, providing maximum flexibility for beam control and design adaptability. Also available in matching cylinder, pendant, and surface mount versions for a cohesive lighting aesthetic across applications.



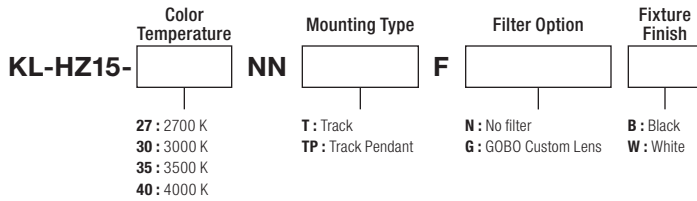
### SPECIFICATION

Approved Location	Dry / Indoor
Application	Track
Certification	cETLus
Color Temperature	2700 K / 3000 K / 3500 K / 4000 K
CRI	90
Dimmable	Yes
Lumens	Up to 1500
Lumens per Watt	Up to 100
TM-30 Annex E	P2 / V- / F3
Voltage	24V DC
Wattage	15W

### Technical Drawings



## Ordering Guide



**Notes:**  
 Projector module available only in black finish for both Fixture Finish options. For additional options please consult your A-Line representative. Due to our continued efforts to improve our products, product specifications are subject to change without notice.

## Options & Accessories



**SPOT2-SN-xyyy**  
 Standard 1¼" snoot. xx - color, yy - baffle color.



**SPOT2-LSN-xyyy**  
 Long 2" snoot. xx - color, yy - baffle color.



**SPOT2-SNO-xyyy**  
 Oval 2½" snoot. xx - color, yy - baffle color.



**SPOT2-F-BK**  
 Framing projector with 20°~30° zoom. (Only available in black finish)



**SPOT2-LINEAR-LENS**  
 Linear lens.



**SPOT2-SL-LENS**  
 Soft lens.



**SPOT2-HC**  
 Honeycomb louver.

## Lens Options Overview

Our lens portfolio is engineered to deliver precision, performance, and visual comfort across a wide range of lighting applications — from high-end architectural spaces to high-efficiency commercial environments.

- Type D - sharp cutoff and reduced field angle
- Type R - Hybrid lens-reflector design with regressed LES
- Type G - Low-glare and soft-edged beams for comfortable illumination.
- Type H - Increased CBCP (Center Beam Candlepower), ultra-high efficiency lens

## Lens Options



**SA-LENS-DK50-10-BK/WH**  
 Tir Lens Type D, DIA50, 10 °, Black / White Holder

**SA-LENS-DK50-15-BK/WH**  
 Tir Lens Type D, DIA50, 15 °, Black / White Holder

**SA-LENS-DK50-24-BK/WH**  
 Tir Lens Type D, DIA50, 24 °, Black / White Holder

**SA-LENS-DK50-36-BK/WH**  
 Tir Lens Type D, DIA50, 36 °, Black / White Holder

**SA-LENS-DK50-50-BK/WH**  
 Tir Lens Type D, DIA50, 50 °, Black / White Holder

**SA-LENS-GEM50-10-BK/WH**  
 Tir Lens Type R, DIA50, 10 °, Black / White Holder

**SA-LENS-GEM50-15-BK/WH**  
 Tir Lens Type R, DIA50, 15 °, Black / White Holder

**SA-LENS-GEM50-24-BK/WH**  
 Tir Lens Type R, DIA50, 24 °, Black / White Holder

**SA-LENS-GEM50-36-BK/WH**  
 Tir Lens Type R, DIA50, 36 °, Black / White Holder

**SA-LENS-GEM50-50-BK/WH**  
 Tir Lens Type R, DIA50, 50 °, Black / White Holder

**SA-LENS-GLL50-10-BK/WH**  
 Tir Lens Type G, DIA50, 10 °, Black / White Holder

**SA-LENS-GLL50-15-BK/WH**  
 Tir Lens Type G, DIA50, 15 °, Black / White Holder

**SA-LENS-GLL50-24-BK/WH**  
 Tir Lens Type G, DIA50, 24 °, Black / White Holder

**SA-LENS-GLL50-36-BK/WH**  
 Tir Lens Type G, DIA50, 36 °, Black / White Holder

**SA-LENS-GLL50-50-BK/WH**  
 Tir Lens Type G, DIA50, 50 °, Black / White Holder

**SA-LENS-KAP50-10-BK/WH**  
 Tir Lens Type H, DIA50, 10 °, Black / White Holder

**SA-LENS-KAP50-15-BK/WH**  
 Tir Lens Type H, DIA50, 15 °, Black / White Holder

**SA-LENS-KAP50-24-BK/WH**  
 Tir Lens Type H, DIA50, 24 °, Black / White Holder

**SA-LENS-KAP50-36-BK/WH**  
 Tir Lens Type H, DIA50, 36 °, Black / White Holder

**SA-LENS-KAP50-50-BK/WH**  
 Tir Lens Type H, DIA50, 50 °, Black / White Holder

## GOBO Options



**HZ15-GOBO-1C**  
 GOBO Insert for Horizon Projector, Monochrome



**HZ15-GOBO-2C**  
 GOBO Insert for Horizon Projector, Two Color



**HZ15-GOBO-FC**  
 GOBO Insert for Horizon Projector, Full Color